

Diffuse reflective type

CX-422: 800 mm **31.496 in**

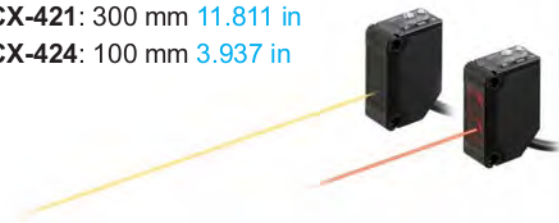
CX-421: 300 mm **11.811 in**

CX-424: 100 mm **3.937 in**

CX-423: 70 to 300 mm

2.756 to 11.811 in

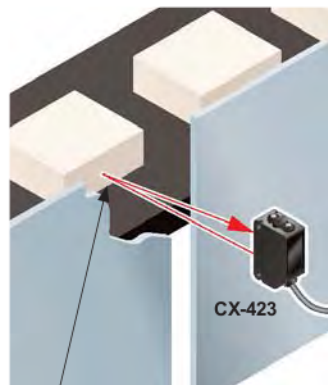
Narrow-view type



Beam axis alignment made easy with a high luminance spot beam CX-423

These sensors have a high luminance red LED spot beam which provides bright visibility enabling the sensing position to be checked at a glance.

Because it achieved small beam spot approx. $\varnothing 2$ mm $\varnothing 0.079$ in at setting distance 100 mm **3.937 in**, approx. $\varnothing 5$ mm $\varnothing 0.197$ in at setting distance 200 mm **7.874 in**, even the minutest object can be accurately detected.



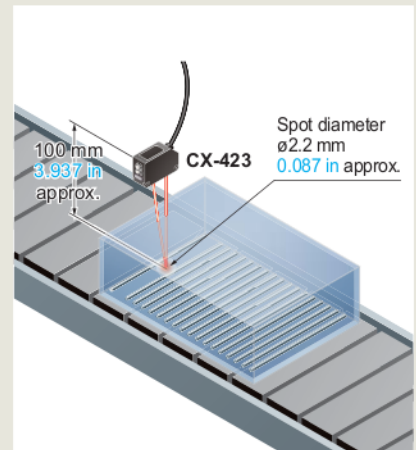
Great visibility approx. $\varnothing 2$ mm $\varnothing 0.079$ in high luminance spot beam (at setting distance 100 mm **3.937 in**)

Reduction of volume adjustment labor All models

Because these sensors possess many variations depending on the sensing range, they enable you to make optimal volume adjustment easily.

Applications

- Detecting pins in the case



- Passage confirmation on substrate conveyor equipment

